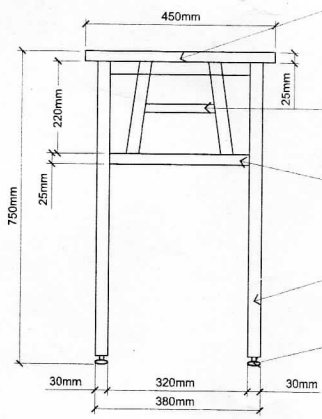


ated  
 ) w/ PVC  
 k  
 ;  
 ted finish  
 el, powder  
 ubular steel,  
 ish (foldable  
 atch



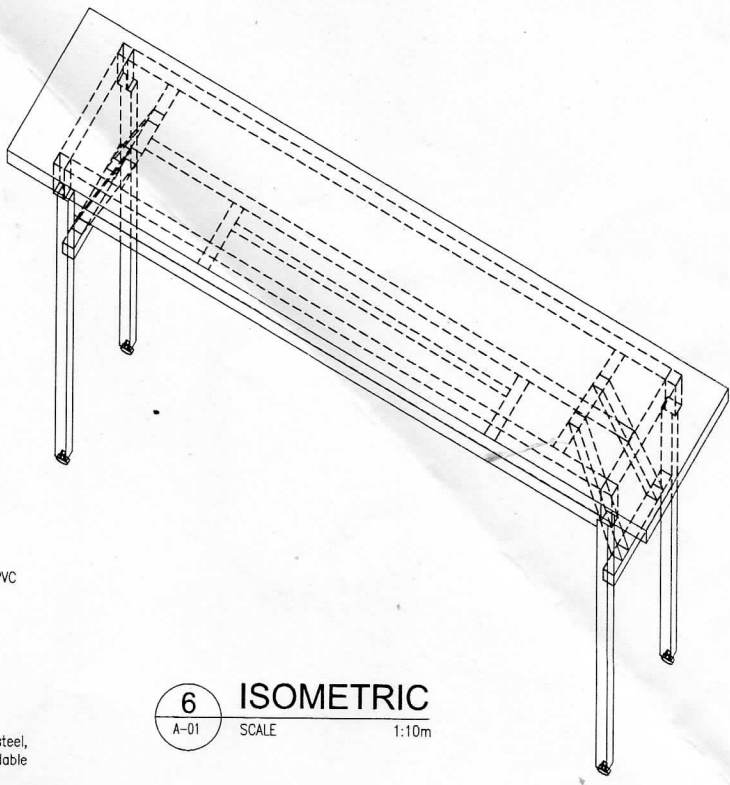
25mm thk Laminated  
 Marine Plywood  
 (Machine-pressed) w/ PVC  
 Edgeband  
 Finish : White Oak

Under Desk Shelf;  
 Steel powder coated finish  
 Color : Black

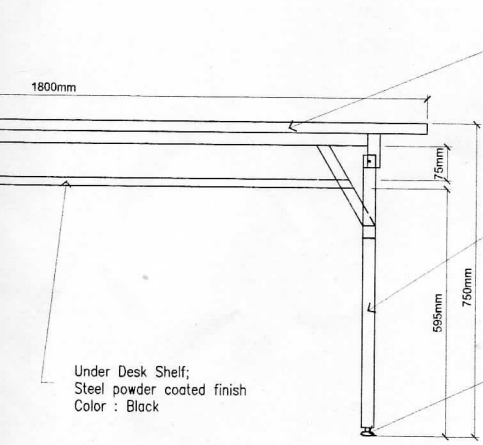
1"x1" Tubular steel, powder  
 coated  
 Color : Black

30mm x 30mm Tubular steel,  
 powder coated finish (foldable  
 legs)  
 Color : Black

Anti-Slip/Anti-Scratch  
 Footing



**3 RIGHT SIDE ELEVATION**  
 A-01 SCALE 1:10m



25mm thk Laminated  
 Marine Plywood  
 (Machine-pressed) w/ PVC  
 Edgeband  
 Finish : White Oak

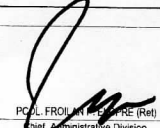
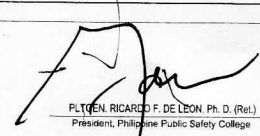
30mm x 30mm Tubular steel,  
 powder coated finish (foldable  
 legs)  
 Color : Black

Anti-Slip/Anti-Scratch  
 Footing

Under Desk Shelf;  
 Steel powder coated finish  
 Color : Black

**6 ISOMETRIC**  
 A-01 SCALE 1:10m

**FRONT ELEVATION**  
 1:10m

<p>PHILIPPINES          LOCAL GOVERNMENT  <b>SAFETY COLLEGE</b>          RIGHTS, OLD BALARA, QUEZON CITY</p>	<p>RECOMMENDING APPROVAL</p>  <p>PCOL. FROILAN M. SORRE (Ret.)          Chief, Administrative Division</p>	<p>APPROVED BY</p>  <p>PLT. GEN. RICARDO F. DE LEON, Ph. D. (Ret.)          President, Philippine Public Safety College</p>	<p>SHEET CONTENTS</p> <p>PLAN VIEW          LEFT SIDE ELEVATION          RIGHT SIDE ELEVATION          FRONT ELEVATION          REAR ELEVATION          ISOMETRIC</p>	<p>SHEET NAME</p> <p>A          01</p>	<p>SHEET</p> <p>0          0</p>
<p>SCALE : AS SHOWN</p>					